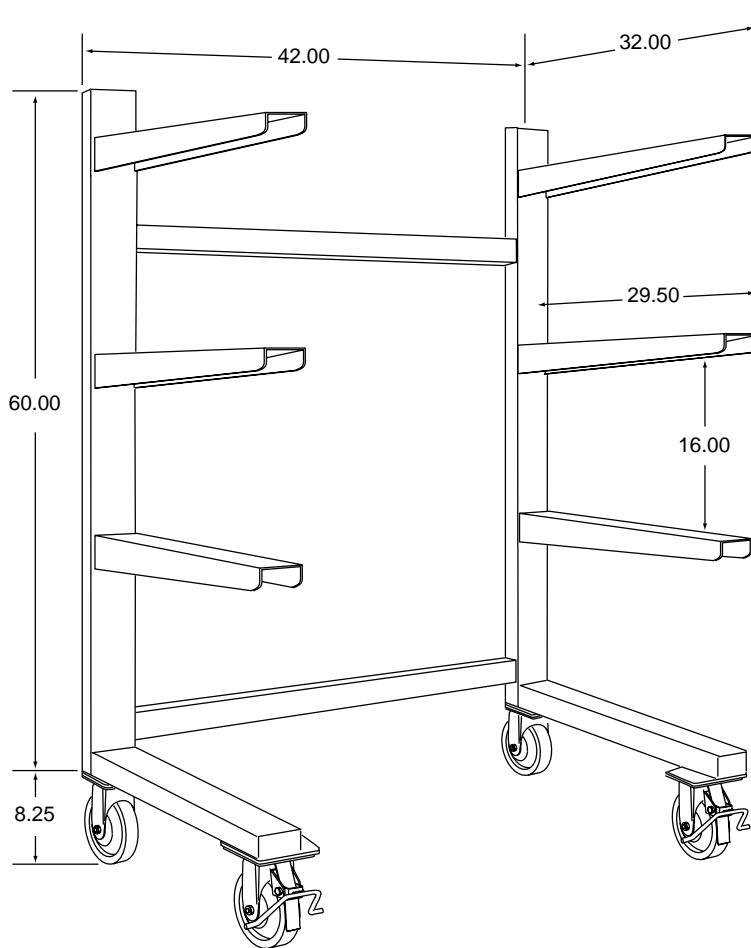


SERIES 7005 CANTILEVER STORAGE SYSTEM WITH CASTERS



STAINLESS STEEL UNITS

Model No.	7005-3SS	3 Tier
	7005-4SS	4 Tier
	7005-5SS	5 Tier

Available Cadaver Storage Trays

The stainless steel cantilever storage rack is designed to support up to 500 pounds per level in a free-standing position. Casters allow mobility for transport or cleaning purposes. Manufactured in stainless steel, these racks are designed for heavy-duty use with the following features and materials:



Model T3603 Molded Plastic Tray



Model T3626 Stainless Steel Tray

- Vertical columns and cross supports are 11 gauge tubular stainless steel with a grained finish
- Cantilever arms are fabricated of 11 gauge stainless steel with a grained finish
- Adjustable arms can be provided per customer requirements
- Heavy-duty 6 inch diameter casters, front two with brake mechanism
- Cadaver lift accessible
- Rubber bumpers to protect cadaver tray