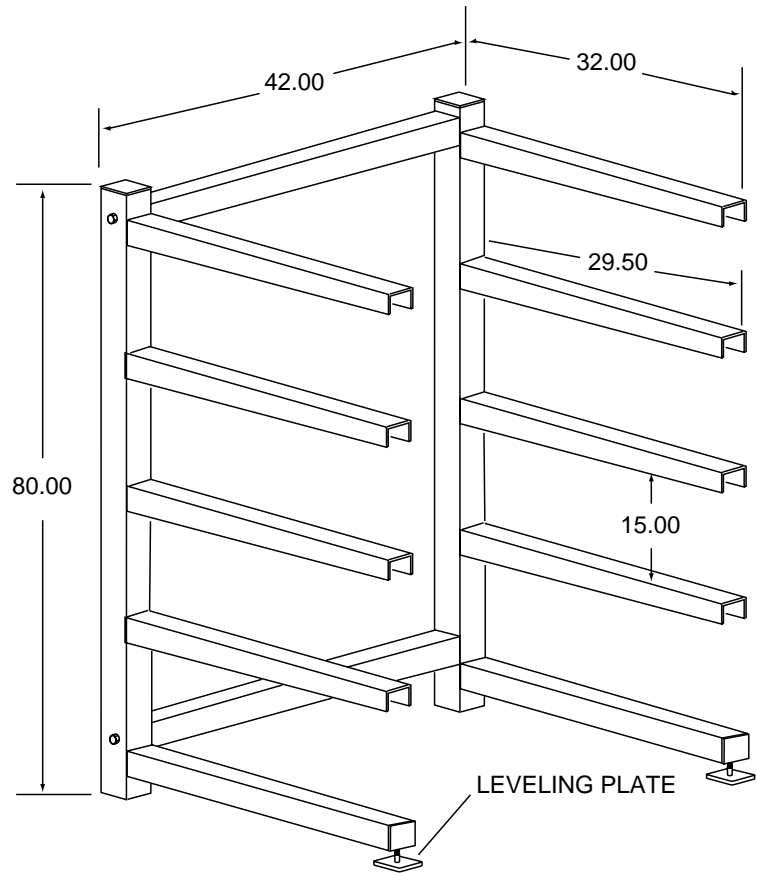
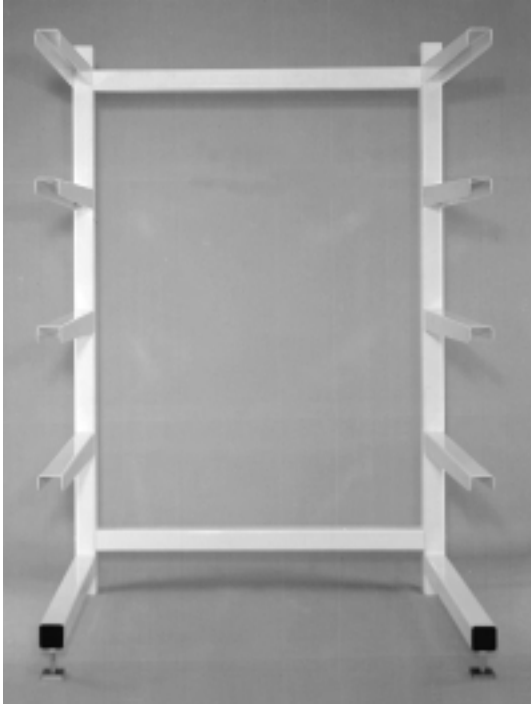


**SERIES 7002 CANTILEVER STORAGE SYSTEM**



**POWDER COATED STEEL UNITS**

Model No.	7002-3PC	3 Tier
	7002-4PC	4 Tier
	7002-5PC	5 Tier

**STAINLESS STEEL UNITS**

Model No.	7002-3SS	3 Tier
	7002-4SS	4 Tier
	7002-5SS	5 Tier

The Cantilever Storage Racks are designed to hold our various cadaver trays and provide space saving cold storage convenience. The units are fabricated to accommodate efficient utilization of space. The vertical and horizontal columns are 3 inches x 1.5 inches x 3/16 inch tubular steel, the Cantilever arms are 11 gauge steel welded to the vertical columns. The unit is simply assembled by four 1/2-13 bolts. Each tier will support in excess of 500 lbs. The Cantilever storage units are equipped with leveling plates to adjust for varying floor conditions and to insure the rack has a slight rear tilt. The fabrication emphasizes clean, sanitary construction. The finish is rust and corrosion resistant powder coating or stainless steel. Storage racks can be ordered with three, four or five tiers depending on your requirements.

**Available Cadaver Storage Trays**



Model T3603 Molded Plastic Tray



Model T3626 Stainless Steel Tray